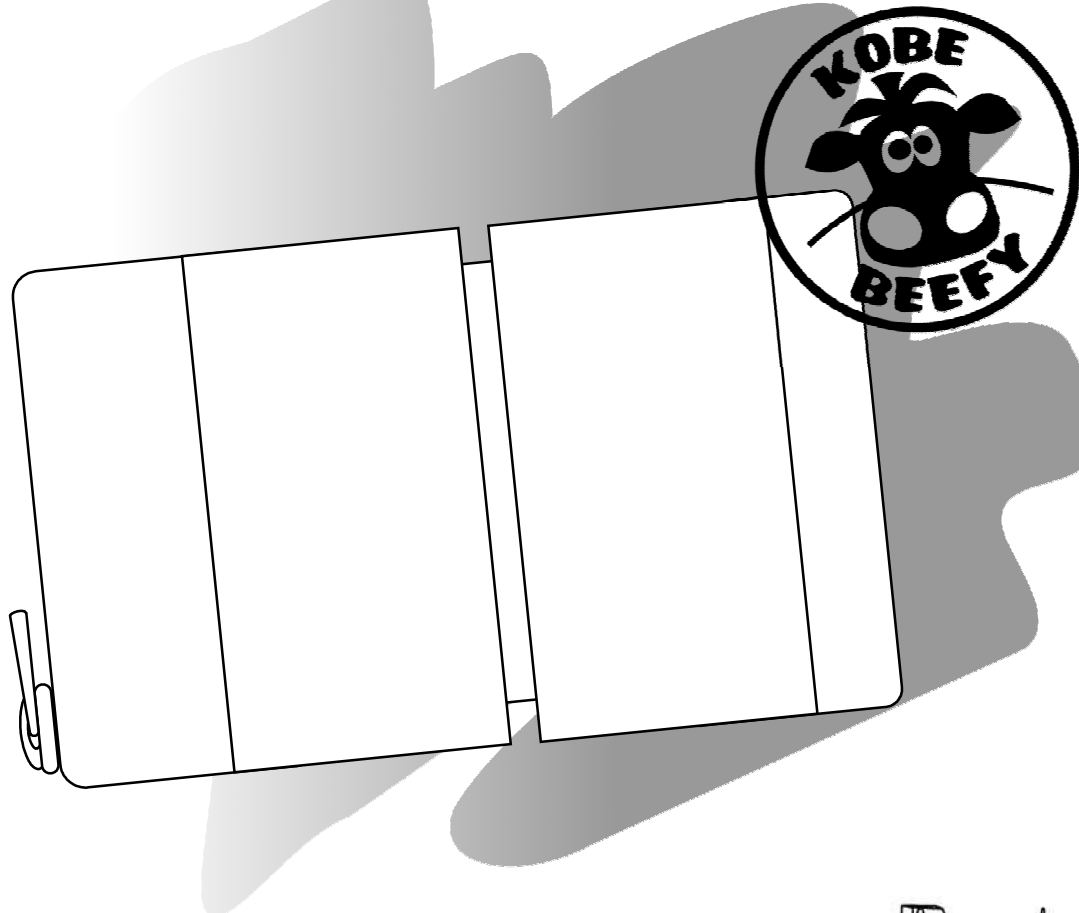


Compact Wallet

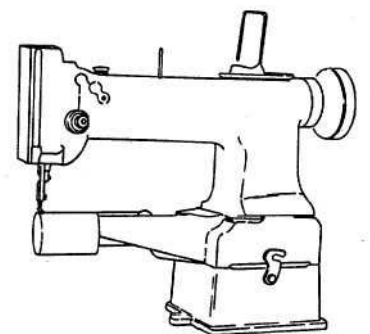
Kobe Beefy © 2017

- Cordura 1000d 10cmx 4.5cm (x2)
8cm x 15cm
8cm x 13.5cm
10cm x 3cm (x2)
- Woven Elastic 10cm x 5cm (x4)
- Coil Zipper YKK #580 20cm



Minimalist Wallet

- Cordura 1000d 10cmx 4.5cm (x2)
8cm x 15cm
9cm x 14cm (x2)
- Woven Elastic 10cm x 5cm (x2)
- Coil Zipper YKK #580 20cm
- Walking foot sewing machine
- #20 Polyester thread
- 3mm double sided tape

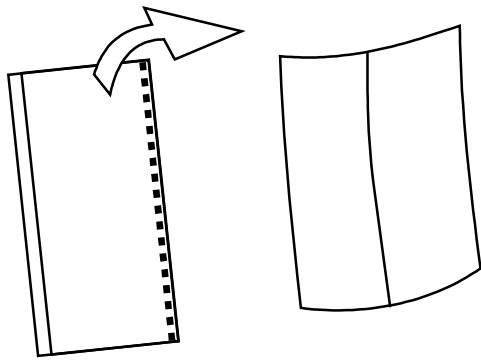


Same construction as the Compact wallet but omitting the last step. Instead of the one piece of Cordura (8x 13.5cm), see step 4, make a flap by sewing two pieces of Cordura (9cm x 14cm). Sew around the two long edges and one short side and then turn inside out so that the right side is facing out.

Sew in the place of the divider in step 4.

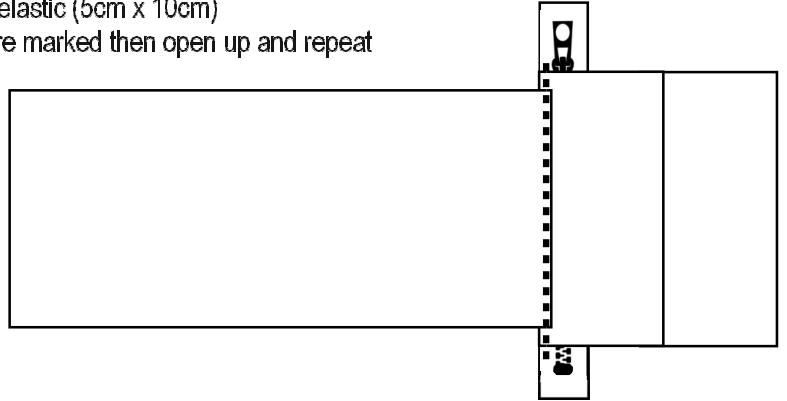
compact wallet

Kobe Beefy 2017 ©



1. Place Cordura (4.5cm x 10cm) wrong-side facing up on top of elastic (5cm x 10cm)
Sew where marked then open up and repeat

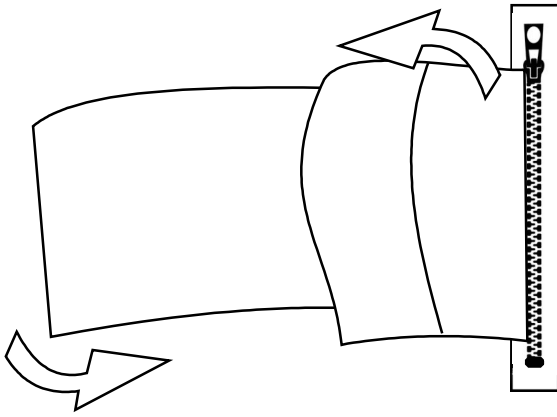
Arrange pieces on top of the zipper using 3mm double sided tape. The long piece (coin pocket) is 8cm x 15cm. The Cordura pieces are all wrong-side up and stitched where marked.



2.

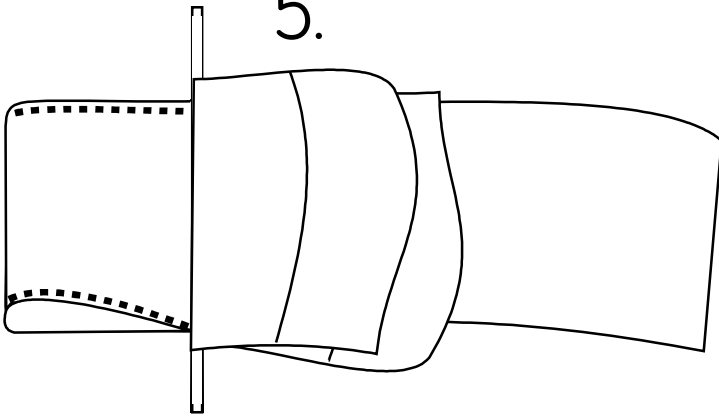
Fold back the Cordura & elastic piece and fold and tape the coin pocket to the furthest edge of the underside of the zipper.

3.

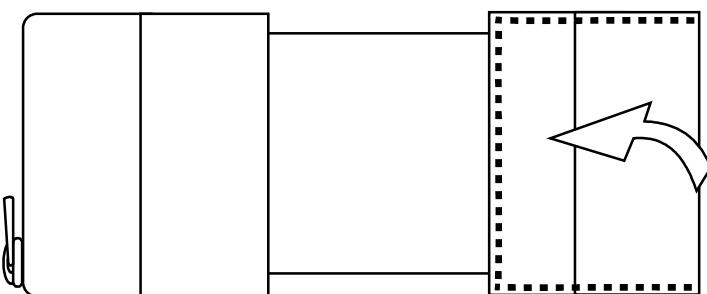


Fold all the pieces out of the way and rotate the zip 90 degrees. Sew the edges of the coin pocket as close to the zipper as possible.

5.

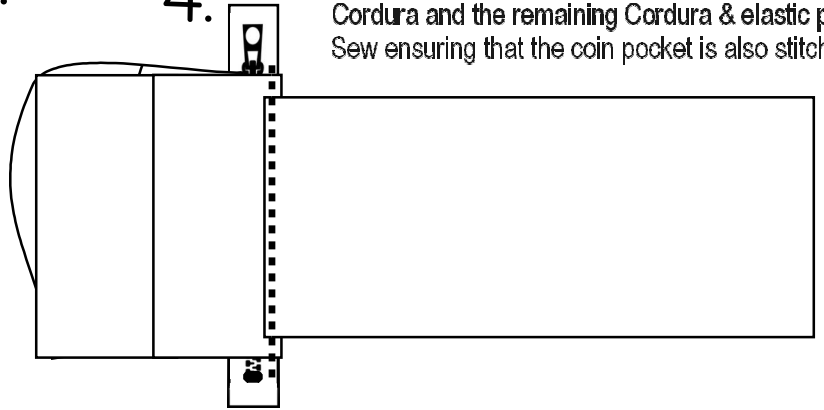


7. Construct two Cordura & elastic pieces as in step 1 but using 3cm x 10cm Cordura. Sew the edge of the partition to one piece of Cordura & elastic and then stitch through all the pieces ensuring it will be right side up when turned inside out.



4.

Repeat the process of step 2 but using 8cm x 13.5cm Cordura and the remaining Cordura & elastic part. Sew ensuring that the coin pocket is also stitched.



Align the Cordura & elastic pieces over the coin pocket. Ensure that the zipper tab is well away from the ends and then sew. Trim ends of zip and fold Cordura & elastic / coin pocket inside out.

6.

